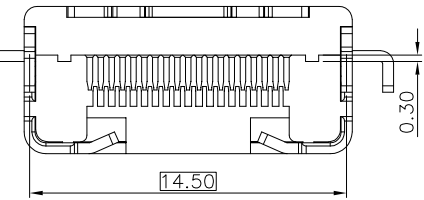
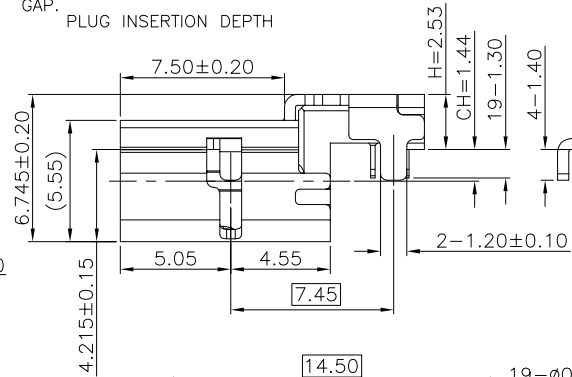
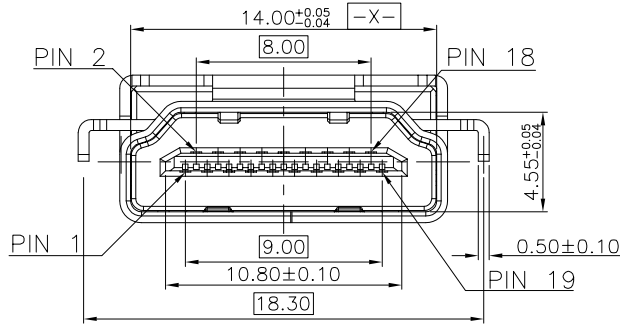


NOTES:

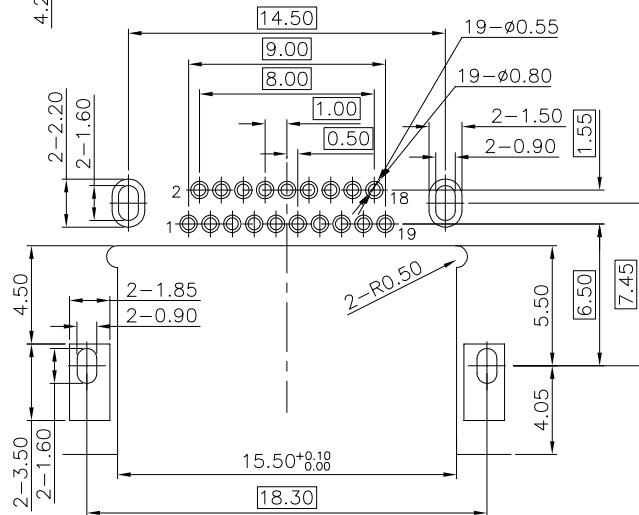
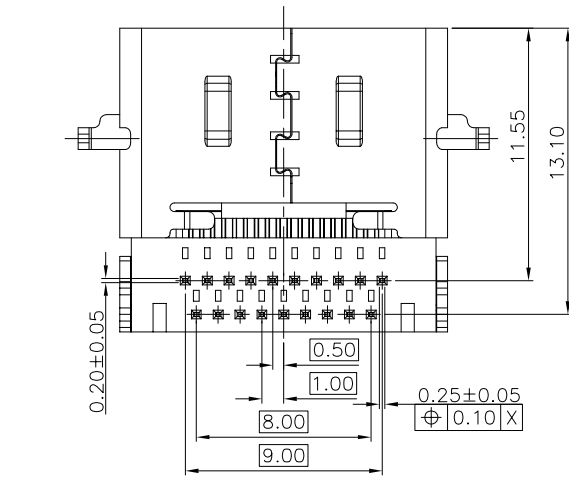
- 1.MATERIAL:
 - 1.1 HOUSING: SEE TABLE
 - 1.2 CONTACTS: SEE TABLE
 - 1.3 SHELL: SEE TABLE
- 2.FINISH:
 - 2.1 CONTACT: SEE P/N
 - 2.2 SHELL: SEE TABLE
- 3.THE CONNECTOR IS RoHS COMPLIANT.
- 4.DATE CODE: XXXXXX

YEAR		FACTORY
MONTH		
DATE		
- 5.SPEC. PLS. REFER TO PS-30279-XXXX-XXX
- 6.PACKAGE PLS. REFER TO 30279-XXXX-XXX-PCK
- 7.P/N: 30279-019 X X-Z01

CKTS		PLATING:
PACKING		
0: TAPE&REEL		



PIN #	SIGNAL ASSIGNMENT	PIN #	SIGNAL ASSIGNMENT
1	DATA2+	2	DATA2 SHIELD
3	DATA2-	4	DATA1+
5	DATA1 SHIELD	6	DATA1-
7	DATA0+	8	DATA0 SHIELD
9	DATA0-	10	DATA3+
11	DATA3 SHIELD	12	DATA3-
13	CEC	14	UTILITY
15	SCL	16	SDA
17	DDC/CEC GROUND	18	+5V POWER
19	HOT PLUG DETECT		



RECOMMENDED PCB LAYOUT (COMPONENT SIDE)
(TOLERANCE:±0.05)

NO	DESCRIPTION	Q'TY	MATERIAL	PLATING & COLOR
C	SHELL	1	SUS 304, T=0.50mm	50u" MIN. NICKEL PLATED
B	TERMINAL	19	BRASS, T=0.20mm	CONTACT AREA: SEE P/N SOLDER AREA: 80u" MIN MATTE TIN PLATED 50u" MIN. NICKEL UNDERPLATED OVER ALL
A	HOUSING	1	HIGH TEMP. THERMOPLASTIC(LCP+G.F)	UL 94V-0, COLOR: BLACK

QUALITY SYMBOLS MAJOR Ⓢ CRITICAL Ⓢ GENERAL TOLERANCES (UNLESS SPECIFIED) X. ±0.5 .X ±0.25 .XX ±0.15 .XXX ±0.1 ANGLES ±2°	DRAWN BY LIAO WAN TING '22/03/15 CHECKED BY TENG CHANG HO '22/03/15 APPROVED BY KUO JUNG HSUN '22/03/15	DATE '22/03/15 DATE '22/03/15 DATE '22/03/15		TITLE HDMI A 2.1 RVS SINK RECEPTACLE T/H R/A CH=-1.44mm
	UNITS mm SCALE X : X			